

# Honeywell

**EN** Portable Evaporative Air Cooler  
User Manual

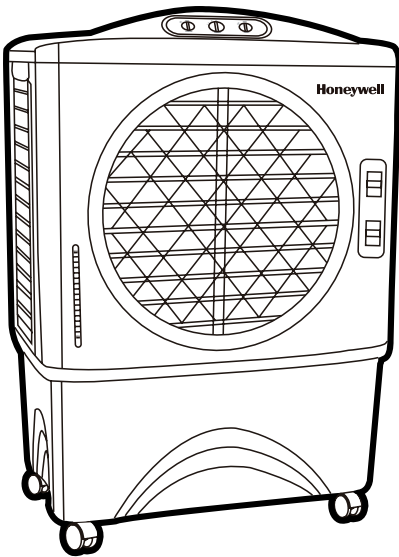
Read and save these instructions before use

**FR** Refroidisseur d'air par évaporation portatif  
Mode d'emploi

Lire ces instructions avant l'utilisation et les conserver

**ES** Refroidisseur d'air par évaporation portatif  
Manual Del Propietario

Lea y guarde estas instrucciones antes de usar la unidad



---

Model / Modèle / Modelo:  
CL48PM / CO48PM

---

Customer Support:  
Assistance Au Client:  
Servicio de atención a clientes:  
USA/ EE.UU: 1-800-474-2147  
CANADA/ CANADÁ<sup>^</sup> : canadainfo@jmatek.com

<sup>^</sup> Canada Customer Support service available for models sold in Canada only.

<sup>^</sup> Le Service Client Canadien est disponible uniquement pour les modèles vendus sur le territoire Canadien.

<sup>^</sup> Servicio de Atención A Clientes en Canadá disponible solo para modelos vendidos en Canadá.



Congratulations on your purchase of this Honeywell Evaporative Air Cooler.

The Safety & Maintenance Guide and the separate User Manual are intended to provide you with important information needed to set up, operate, maintain and troubleshoot this product.

## SAFETY RULES

### WARNING—READ AND SAVE THE AIR COOLER GUIDE AND USER MANUAL

The Air Cooler Guide and User Manual are intended to provide important information needed to set up, operate, maintain and troubleshoot your Air Cooler. Failure to follow these instructions may damage and/or impair its operation, create hazards, and void the warranty. In case there is any inconsistency or conflict between the English version and any other language version of the content of this material, the English version shall prevail.

#### READ AND SAVE THESE INSTRUCTIONS:

When using electrical appliances, basic safety precautions should always be followed:

- This appliance can be used by children aged from 8 years and above and persons with reduced physical, sensory or mental capabilities or lack of experience and knowledge if they have been given supervision or instruction concerning use of the appliance in a safe way and understand the hazards involved. Children shall not play with the appliance. Cleaning and user maintenance shall not be made by children without supervision.
- DO NOT operate with a damaged cord or plug. If the supply cord is damaged, it must be replaced with a supply cord which is as per manufacturers specifications, by the authorized service centre or its service agent or a similarly qualified person in order to avoid a hazard.
- Before operating the product, remove the packaging and check that product is in good condition.
- DO NOT allow children to play with this appliance, packaging or plastic bags.
- Check the household voltage to ensure it matches the appliance's rating specifications.
- DO NOT use an extension cord with this unit.
- DO NOT run power cord under carpeting, or cover it with rugs or runners. Keep the cord away from areas where it may be tripped over.
- Always ensure the water tank is filled with water above the "min." level mark, when operating the air cooler in evaporative COOLING mode.
- Always unplug the Air Cooler before refilling the water tank, cleaning, servicing or relocating the unit.

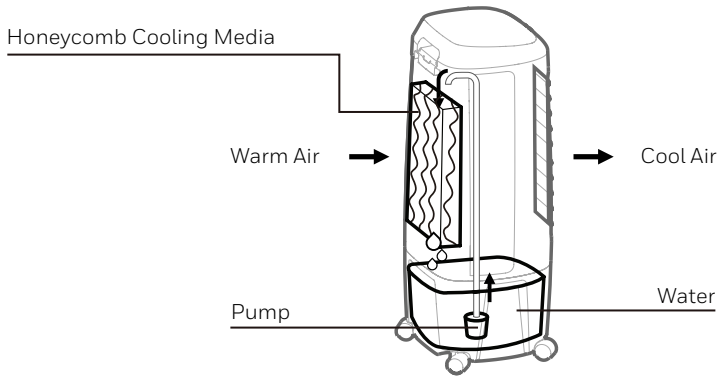
## SAFETY RULES (CONTINUED)

- Never pull the cord. Remove it from the electrical outlet/ socket by grasping and pulling on the plug-end of the cord.
- This appliance has been manufactured for use in domestic environments and must not be used for other purposes.
- DO NOT use in areas where gasoline, paint or other flammable goods and objects are stored.
- DO NOT operate the unit on COOL setting with an empty tank as this may result in damage to the water pump.
- DO NOT attempt to repair or adjust any electrical or mechanical functions of the Air Cooler, as this may void the warranty.
- DO NOT cover the cooler's air inlet or outlet, as this may damage the motor.
- DO NOT insert or allow objects to enter any ventilation or exhaust opening, as this may damage the unit and may cause electrical shock or fire.
- DO NOT operate with the Honeycomb Cooling Media removed, as this will overload and damage the motor.
- DO NOT leave the operating appliance unattended for an extended period of time.
- DO NOT operate this unit if it is damaged or malfunctions. Refer to the Troubleshooting section. If problem still exists contact the Customer Support Center.
- Always place the unit on a dry level floor.
- DO NOT use in bathrooms or near water. DO NOT keep the product where it may fall into water or a water container.
- Store in a dry area when not in use.
- Always grip the side handles to move the Air Cooler.
- **WARNING:** To reduce the risk of fire or electric shock, do not use this appliance with any solid state speed control device.

## What is Evaporative Cooling?

Honeywell Evaporative Air Coolers are built to maximize energy efficiency and keep energy costs low. Warm air is drawn into the cooler and enters the Honeycomb Cooling Media. Water pumped from the water tank pours over the Honeycomb Cooling Media. As the warm air passes through the Honeycomb Cooling Media, the water absorbs the heat, naturally cooling and humidifying the air. A fan propels the cooled air out into the room. This no-compressor system cools naturally, efficiently and inexpensively.

## Evaporative Air Cooling Mechanism



The recommended maximum relative humidity level is 60% or less, which allows a noticeable temperature decrease. The temperature will be lower in drier climates because higher evaporation occurs when the humidity is low.

## NOTE

When the product is used for the first time the Honeycomb Cooling Media will have an odor which will dissipate in a few hours or so of initial use.

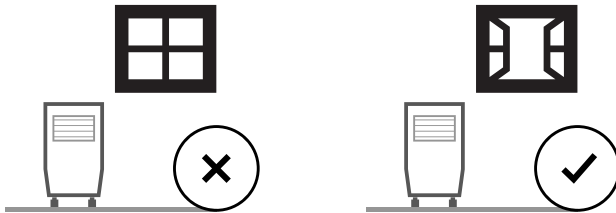
# COOLER LOCATION

To maximize efficiency, position the Air Cooler according to the following guidelines:

## Indoors

Place the cooler in front of an open door or window. Ensure that there is adequate cross-ventilation in the room by leaving a door or window open opposite the cooler.

The Evaporative Air Cooler should not be used in enclosed spaces. It must be kept level and there must be water in the water tank. Doors and windows should be opened to allow free air flow. The Evaporative Air Cooler works best when placed near an open window, so that outside air is drawn into the Evaporative Air Cooler, circulates in the room, then exits via the door. The maximum cooling effect is felt when a person is near the flow of air coming out of the Evaporative Air Cooler. The Evaporative Air Cooler produces moisture and can be used to humidify dry air. To be used for humidification the windows and doors should be closed.



**IMPORTANT:** The evaporative air cooler is not an air conditioner as it does not use a compressor or refrigerant gas. It should not be expected to cool as efficiently as a refrigerated air conditioner.

## Outdoors (for outdoor models only)

- Use only on GFCI Protected outlets/ sockets (for USA only). Press the TEST button (then RESET button) every month to ensure proper operation.
- Power cords must be secured to avoid tripping.
- The wiring and connections must be protected from water. The electrical plug and Air Cooler connections must be dry at all times. When used outdoors, insert the air cooler electrical plug into an IP44 compliant outdoor electrical outlet.
- Set the unit on a solid flat surface.

**IMPORTANT:** Honeywell Outdoor Air Cooler models are designed to IPX4 product standards and not recommended to be placed outdoors during heavy rain or snow.

# STORAGE AND MAINTENANCE GUIDELINES

Read the detailed CLEANING & DRAINING THE WATER TANK instructions for your Air Cooler, located in the separate User Manual. Below is a general guideline for maintenance and storage of your Air Cooler.

**WARNING: Always switch OFF the Air Cooler and unplug it from the electrical source before cleaning or maintenance.**

## Cleaning

At least once a week, drain the water tank completely and refill with fresh water. Doing this will greatly reduce mineral deposits and help to extend the life of the Honeycomb Cooling Media.

## End of Season Storage

If the Air Cooler will not be used for a long time:

- Make sure all parts are dry by running the Fan Only mode for about 1 to 2 hours before storing (time depends on ambient humidity conditions).
- Switch OFF the Air Cooler and unplug from the power supply.
- Empty/drain all the water from the tank. Note: If the unit is connected to a continuous water supply, you must switch off the water supply and remove the drain tube before draining the water tank. This function is only available on some Honeywell Air Cooler models. Check the User Manual to see if your unit has the Continuous Water Supply Function.
- Clean the water tank with a damp cloth to wipe away any dust or mineral deposits.
- Remove the Honeycomb Cooling Media and Carbon Dust Filter\* from the Air Cooler and rinse under fresh water to remove dust and dirt.
- Replace the Honeycomb Cooling Media and Carbon Dust Filter\* after they are clean and dry.
- To protect the unit from dust, moisture and scratches, cover with a clean cloth, tarp or plastic bag before storing.
- Coil the power cord and store it away from the floor to protect it.
- Store this unit at room temperature in a dry location, away from direct sunlight and/or very hot, cold or damp environments.

\* Carbon Dust Filter is available in specific models of Honeywell Air Coolers only. Check the Parts Description in the User Manual for your model to see if it includes a Carbon Dust Filter.

# TROUBLESHOOTING GUIDE

Customer Service Center Contact: See last page of User Manual.

PROBLEM	POSSIBLE CAUSE	SOLUTION
No discharge of air.	Cord is not plugged in.	Make sure power cord is plugged in and the switch is ON.
	Power is not ON.	Turn the unit ON by pressing the power button on the control panel / remote control or turn the SPEED knob.
Not Cooling / Unit is making noise.	Pump is not turned ON.	Turn on COOL function from remote or control panel.
	Low or no water in tank, when COOL is selected.	Refill water tank.
	Damaged Pump or Calcium deposits on blower.	Contact Customer Service Center.
Excessive humidity in the room.	In cooling mode, the Air Cooler produces moisture as a result of evaporative cooling. This is normal.	The Air Cooler cools best in dry climates. If the ambient humidity level is high (approx. 60% or above), refrain from using the Air Cooler until ambient humidity is reduced.
		Make sure the window/doors are open and there is adequate cross-ventilation in the room so that the moisturized air can circulate better. Do not use the evaporative cooling function on days with high ambient humidity.
Odors.	When the Cooler is new.	When the unit is used for the first time, the Honeycomb Cooling Media will have an odor, which will dissipate within a few hours of initial use.
	Algae or mold due to moist parts. In very damp conditions, algae may form.	Check the Honeycomb Cooling Media. If you see mold spots on the media or suspect an algae issue, remove and replace the Honeycomb Cooling Media. Contact the Customer Service Center for more information.

# TROUBLESHOOTING GUIDE (CONTINUED)

PROBLEM	POSSIBLE CAUSE	SOLUTION
Remote control does not work.	Remote control batteries are old & used or inserted incorrectly in the battery compartment.	Replace with new batteries. Follow the polarity guide inside the battery compartment.
	Damaged remote control.	If replacing new batteries in the correct position does not work, contact the Customer Service Center.
The unit does not respond.	Damaged Control Panel on unit.	Try to activate the unit with the Remote Control. If the unit responds, then the Control Panel on the unit may be experiencing problems - contact the Customer Service Center.
		If neither the Remote Control or the Control Panel is working, contact the Customer Service Center.
The outdoor Air Cooler is wet from rain.	The Air Cooler was placed outdoors (this is only allowed for outdoor Air Cooler models) and soaked by heavy rain.	A small amount of rain on the unit is not a problem as long as the electrical plug and outlet are dry. If they are wet, DO NOT touch the unit or electrical plug/outlet. Switch off the master power for the outlet before unplugging the unit from the electrical outlet. Make sure all outlets and plugs are dry before use.
		The Air Cooler is designed to IPX4 product standards and not recommended to be placed outdoors during heavy rain conditions. Do not operate the Air Cooler when wet. Wait for the Air Cooler to dry before plugging in and turning on the unit again.

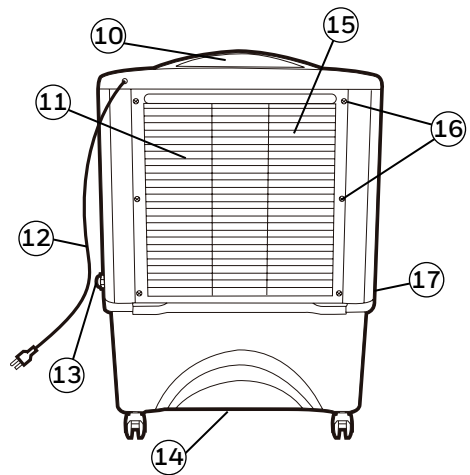
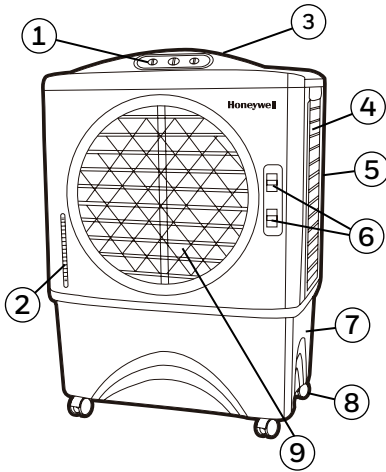
The batteries contain materials, which are hazardous to the environment; they must be removed from the appliance before it is scrapped and that they are disposed of safely.



**Correct Disposal of this product.**

This marking indicates that this product should not be disposed with other household wastes throughout the EU. To prevent possible harm to the environment or human health from uncontrolled waste disposal. recycle it responsibly to promote the sustainable reuse of material resources. To return your used device, please use the return and collection systems or contact the retailer where the product was purchased. They can take this product for environmental safe recycling.

# PARTS DESCRIPTION



1) Control Panel

2) Water Level Indicator

3) Water Inlet Hole

4) Handle

5) Left Side Grill

6) Lever for Horizontal Louvers

7) Water Tank

8) Casters

9) Louvers

10) Water Fill Door

11) Rear Grill

12) Power Cord & Plug

13) Water Inlet Valve

14) Drain Plug

15) Honeycomb Cooling Media

16) Rear Grill Screws

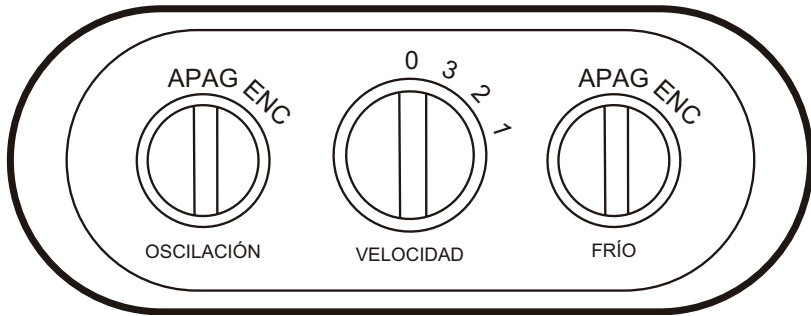
17) Right Side Grill

**WARNING -- READ AND SAVE THE AIR COOLER SAFETY & MAINTENANCE GUIDE AND USER MANUAL BEFORE USING THIS PRODUCT. FAILURE TO FOLLOW THESE INSTRUCTIONS MAY DAMAGE AND/ OR IMPAIR ITS OPERATION AND VOID THE WARRANTY. IN CASE THERE IS ANY INCONSISTENCY OR CONFLICT BETWEEN THE ENGLISH VERSION AND ANY OTHER LANGUAGE VERSION OF THE CONTENT OF THIS MATERIAL, THE ENGLISH VERSION SHALL PREVAIL.**

**WARNING:** FOR OUTDOOR MODEL CO48PM (in USA), USE ONLY ON GFCI PROTECTED RECEPTACLES.

# USE & OPERATION

## CONTROL PANEL



## FUNCTION BUTTONS

### SPEED / ON - OFF

Connect to the power supply and turn the SPEED knob. The fan will start. Change the speed from 3 to 1 (1 for Low, 2 for Medium and 3 for High fan speed). To switch OFF the unit, turn the SPEED knob to 0.

### COOL

You must add water before operating the unit on Cool mode. Turn the COOL knob to the ON position to activate evaporative cooling. The water pump will operate and you will feel the cooler air after the Honeycomb Cooling Media is completely wet.

### SWING

Turn the SWING knob to the ON position to activate the movement of the louvers. The louvers will begin to move left to right automatically. Vertical Air Flow - You can manually adjust the lever located at the front of the unit to change vertical air flow.

## COOLER LOCATION

Make sure to position the air cooler correctly before you set up and start using the product. Please refer to the COOLER LOCATION section of the separate Safety & Maintenance Guide.

## FILLING WITH WATER

It is ideal to use the Continuous Water Supply Connection to run the unit for long periods of time without refilling the tank. This also helps prevent pump failure in case the cooler is running with inadequate water in the tank.

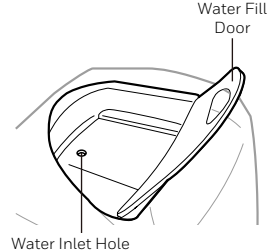
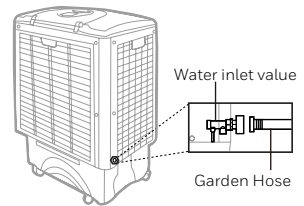
**CAUTION:** Unplug the unit from the electrical power outlet before filling or emptying the water tank.

### Continuous Water Supply Connection:

For a continuous water supply, you will need a garden hose that is connected to a main water supply.

**Note:** The garden hose is not included. Please make use of a garden hose which is compatible with the unit connection.

- Locate the male connector at one end of the garden hose. Insert the garden hose connector into the water inlet valve of the cooler. Screw and tighten the water inlet valve onto the threaded part of the garden hose connector, making sure the hose connector is secured to ensure there will be no leaks. If there is leakage, the hose and the water inlet valve may not be connected properly. Try to disconnect, replace and tighten the water inlet valve again.
  - When the connection is secured, turn ON the water supply and the water will flow into the water tank of the cooler.
  - The cooler is now set so the water refills automatically.
  - When the water tank is full, the water inlet valve will automatically stop the water supply from overflowing.
  - Please open the water valve for minimum flow as too much pressure could damage the inlet pressure control system.
- WARNING:** The maximum water inlet pressure is 0.5 MPa.



### Manual Water Tank Refill:

- Using a portable container or a garden hose, you can refill the water tank manually by pouring water into the water tank through the water inlet hole located at the top of the air cooler.
- Check the water level indicator to know when the water tank is full. Do not fill water above the "Max." water level mark to avoid water droplets collecting on the louvers.

**WARNING:** Always ensure the water in the water tank is above the minimum (Min.) water level mark for both Continuous & Manual Water Refill. Running the unit in Cool mode with inadequate water may cause pump failure.

# USE & OPERATION (CONTINUED)

## FILLING WITH WATER (CONTINUED)

**Note:** The water capacity refers to the total volume of water that can be contained within the air cooler water tank and water distribution system. The water capacity in the tank at the “Max.” indicator level may be lower than the actual water capacity of the air cooler.

**WARNING:** Do not fill water tank with dirty water or salt water. This can damage the unit and Honeycomb media.

## CLEANING & DRAINING THE WATER TANK

If the cooler will not be used for a long period of time, please refer to the STORAGE & MAINTENANCE GUIDELINES located in the separate Safety & Maintenance Guide.

**WARNING:**

Before cleaning the unit, switch the unit OFF and disconnect from the electrical socket.

- Move the unit to a location where the water can be drained. Remove the cap from the Drain plug located at the bottom of the unit. Allow the tank to empty.
- Refill the water tank with clean water, up to the maximum level and drain it completely.
- Use a damp cloth to remove the dirt and dust from the surface of the unit. Never use corrosive elements or chemicals to clean this product.
- When the product is not in use, store the unit in a dry place away from direct sunlight.

## CLEANING THE HONEYCOMB COOLING MEDIA

- The appliance is supplied with three Honeycomb Cooling Media pads.
- The Honeycomb Cooling Media are located inside the Rear and Side Grills. Follow Steps 1 to 5 for instructions on how to remove them from the unit for cleaning and maintenance.
- Do not run the unit in COOL mode with stale water in the tank. You must empty the water tank and refill with fresh water, especially if the tank has not been cleaned in a long time.
- The cleaning frequency for the Honeycomb media depends on local air and water conditions. In areas where the mineral content of water is high, mineral deposits may build up on the Honeycomb Cooling Media and restrict air flow. Draining the water tank and refilling with fresh water at least once a week will help reduce mineral deposits. If mineral deposits remain on the Honeycomb Cooling Media, the media should be removed and washed under fresh water. The media should be cleaned every two months or sooner, depending on your needs.
- For best results allow the Honeycomb Cooling Media to dry after each use by turning off the cool function 15 minutes before turning the unit off.

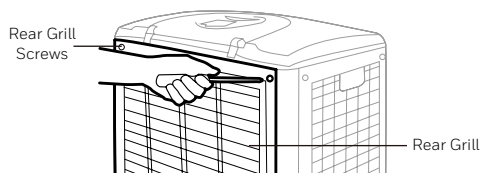
## CLEANING THE HONEYCOMB COOLING MEDIA (CONTINUED)

Removing the Honeycomb Cooling Media:

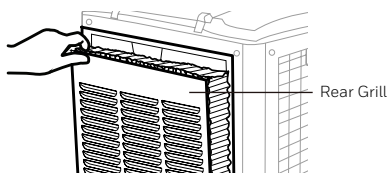
1. Remove the screws from the Rear Grill of the Air Cooler.
2. Carefully pull out the Rear Grill from the Air Cooler.
3. The Honeycomb Cooling Pad is secured on the Rear Grill by two Horizontal Bars that are fixed in place by two screws on the Left and Right Sides of these Horizontal Bars. Remove these screws to release the Horizontal Bars.
4. Pull out the Honeycomb Cooling Pad by sliding it out from the Rear Grill. Replace with the new Honeycomb Cooling Pad by sliding into the grooves of the Rear Grill until it fits comfortably and securely in place on the grill. Replace the Horizontal Bars back onto the Rear Grill by replacing the Left and Right Side screws and tightening them in place. This secures the Honeycomb Cooling Pad in place on the Rear Grill.
5. Repeat steps 1 to 4 to remove the Honeycomb Cooling Pad on the Left and Right Side Grills.

**WARNING:** DO NOT operate the Air Cooler when any or all of the Rear or Side Grills are removed from the Air Cooler, or if there is a loose-fitting Rear or Side Grill. Doing so can cause serious injury or dangerous electrical shock.

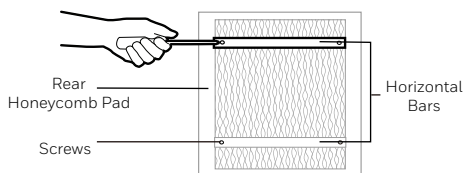
Step 1:



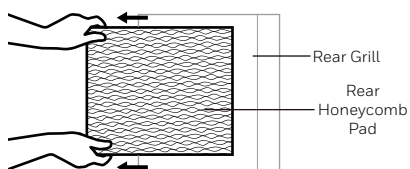
Step 2:



Step 3:



Step 4:



Nous vous félicitons d'avoir acheté ce refroidisseur d'air par évaporation de Honeywell.

Le Guide de sécurité et d'entretien et le Manuel de l'utilisateur ont tous deux pour but de vous communiquer des renseignements importants pour l'installation, l'utilisation, l'entretien et le dépannage de cet appareil.

## RÈGLES DE SÉCURITÉ

### AVERTISSEMENT - LIRE ET CONSERVER LE GUIDE ET LE MANUEL DE L'UTILISATEUR DU REFROIDISSEUR D'AIR

Le Guide et le Manuel de l'utilisateur du refroidisseur d'air sont destinés à fournir des renseignements importants pour l'installation, l'utilisation, l'entretien et le dépannage de votre refroidisseur d'air. Ne pas suivre ces consignes pourrait endommager l'appareil et/ou perturber son fonctionnement, provoquer des risques et annuler la garantie. En cas d'incohérence ou de conflit entre la version anglaise et tout autre version linguistique du contenu de ce matériel, la version anglaise prévaudra.

#### LIRE ET CONSERVER CES CONSIGNES:

En utilisant des appareils électriques, les mesures de sécurité élémentaires suivantes doivent toujours être prises:

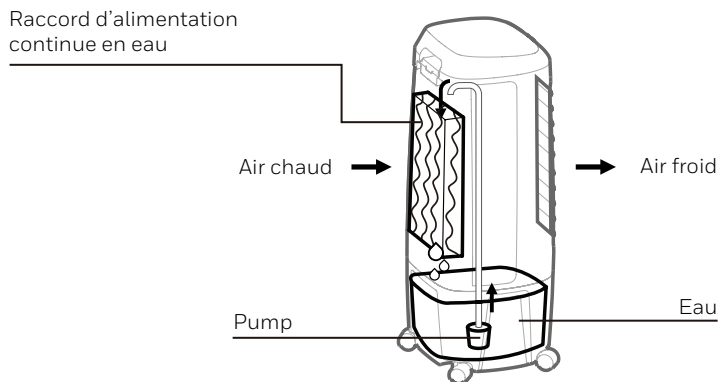
- Cet appareil peut être utilisé par des enfants âgés de 8 ans et plus, ainsi que des personnes ayant des capacités réduites au niveau physique, sensoriel ou mental, ou un manque d'expérience et de connaissances si ils ont été supervisés ou instruits à propos de l'utilisation de l'appareil de manière sûre et s'ils ont compris les risques encourus. Les enfants ne doivent pas jouer avec l'appareil. Le nettoyage ou la maintenance ne devra pas être effectuée par des enfants, sauf si ces derniers sont âgés de plus de 8 ans et s'ils sont supervisés.
- NE PAS utiliser avec une prise ou un cordon endommagés. Si le cordon d'alimentation est endommagé, il doit être remplacé par un cordon d'alimentation conforme aux spécifications du fabricant, par le centre de service agréé, son intermédiaire de service ou une personne qualifiée afin d'éviter tout danger.
- Avant d'utiliser l'appareil, il convient de le déballer et de s'assurer qu'il est en bon état.
- NE PAS permettre aux enfants de jouer avec cet appareil, son emballage ou les sacs en plastique.
- Vérifiez la tension résidentielle afin de s'assurer qu'elle convient aux spécifications de l'appareil.
- NE PAS utiliser une rallonge électrique avec cet appareil.
- NE PAS faire passer le cordon électrique sous la moquette ou le recouvrir avec un tapis ou un chemin de couloir. Garder le cordon à l'écart des endroits où ils risquent de causer une chute.
- S'assurer à tout moment que l'eau dans le réservoir dépasse la marque du niveau "min.", lorsque le refroidisseur d'air fonctionne en mode REFROIDISSEMENT par évaporation.
- Toujours débrancher le refroidisseur d'air avant d'en remplir le réservoir d'eau, de le nettoyer, d'en faire l'entretien ou de le déplacer.

- Ne jamais tirer sur le cordon. Pour débrancher l'appareil, il convient de saisir la fiche et de la retirer hors de la prise électrique.
- Cet appareil a été fabriqué pour être utilisé en milieu domestique et ne doit pas être utilisé à d'autres fins.
- NE PAS utiliser dans des endroits où de l'essence, de la peinture ou d'autres produits ou objets inflammables sont rangés.
- NE PAS faire fonctionner l'appareil en mode COOL (refroidissement) avec un réservoir vide au risque d'endommager la pompe à eau.
- NE PAS tenter de réparer ou de régler les fonctions électriques ou mécaniques du refroidisseur d'air, car cela risque d'annuler la garantie.
- NE PAS couvrir l'entrée ou la sortie d'air du refroidisseur, car cela risque d'endommager le moteur.
- NE PAS insérer ou laisser un objet pénétrer dans une quelconque ouverture de ventilation ou d'évacuation, car cela risque d'endommager l'appareil et de causer une décharge électrique ou un incendie.
- NE PAS faire fonctionner l'appareil sans le système de refroidissement en nid d'abeilles, car cela surchargera et endommagera le moteur.
- NE PAS laisser l'appareil en marche sans surveillance durant une longue période.
- NE PAS continuer de faire fonctionner l'appareil s'il est endommagé ou défectueux. Voir la section Dépannage. Si le problème persiste, contacter le centre de soutien à la clientèle.
- Placer systématiquement l'appareil sur une surface plane et sèche.
- NE PAS utiliser dans les salles de bains ou à proximité de l'eau. NE PAS placer l'appareil dans un endroit où il risque de tomber dans l'eau ou dans un contenant d'eau.
- Lorsqu'il n'est pas utilisé, le ranger dans un endroit sec.
- Toujours déplacer le refroidisseur d'air au moyen de ses poignées latérales.
- **AVERTISSEMENT:** Afin de réduire les risques d'incendie ou de décharges électriques, ne pas utiliser cet appareil avec toute commande de vitesse à semi-conducteur.

## Qu'est-ce que le refroidissement par évaporation?

Les refroidisseurs d'air par évaporation portatifs de Honeywell sont conçus afin de maximiser l'efficacité énergétique à faibles coûts. L'air chaud est aspiré dans le refroidisseur et entre dans le système de refroidissement en nid d'abeilles. L'eau pompée du réservoir se déverse sur le système de refroidissement en nid d'abeilles. Lorsque l'air chaud circule dans le système de refroidissement en nid d'abeilles, l'eau absorbe la chaleur, refroidissant et humidifiant naturellement l'air. Un ventilateur projette l'air refroidi dans la pièce. Ce système sans compresseur rafraîchit d'une façon naturelle, efficace et peu coûteuse.

## Mécanisme de refroidissement d'air par évaporation



Le taux d'humidité relative maximal recommandé est de 60% ou moins, ce qui permet une diminution perceptible de la température. La température sera plus faible en climat sec, car une plus grande évaporation se produit lorsque l'humidité est faible.

## REMARQUE

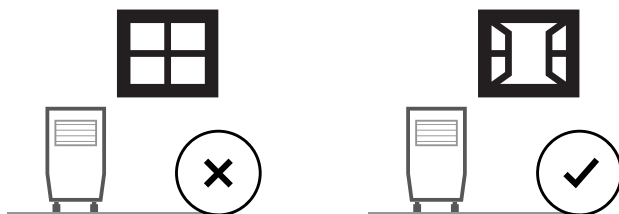
Lorsque l'appareil sera utilisé pour la première fois, une odeur se dégagera du système de refroidissement en nid d'abeilles, puis se dissipera dans les quelques heures suivant l'utilisation initiale.

Afin d'en maximiser l'efficacité, positionnez le refroidisseur d'air conformément aux directives suivantes:

## À l'intérieur

Placer le refroidisseur d'air devant une porte ou une fenêtre ouverte. S'assurer d'une ventilation transversale adéquate dans la pièce en laissant une porte ou une fenêtre ouverte à l'opposé du refroidisseur d'air.

Le refroidisseur d'air par évaporation ne doit pas être utilisé dans des espaces clos. Il doit être de niveau et son réservoir doit contenir de l'eau en tout temps. Les portes et fenêtres doivent être ouvertes pour permettre la circulation d'air. L'efficacité du refroidisseur d'air par évaporation est optimale lorsqu'il est placé près d'une fenêtre ouverte de manière à ce que l'air extérieur y soit aspiré, puis circule dans la pièce et en sorte par la porte. Pour ressentir l'effet de refroidissement maximal, il convient de demeurer à proximité de l'air sortant du refroidisseur d'air par évaporation. Le refroidisseur d'air par évaporation produit de l'humidité et peut être utilisé pour humidifier l'air sec. S'il est utilisé pour l'humidification, les fenêtres et portes doivent être fermées.



**IMPORTANT:** Le refroidisseur d'air par évaporation n'est pas un climatiseur, car il ne fonctionne pas au moyen d'un compresseur ni de gaz frigorigène. Il ne faut pas s'attendre à ce qu'il rafraîchisse autant qu'un climatiseur réfrigérant.

## À l'extérieur (uniquement pour les modèles d'extérieur)

- Utiliser uniquement avec des prises protégées par des disjoncteurs de fuite de terre. Appuyez sur le bouton TEST, puis sur le bouton RESET une fois par mois pour assurer un bon fonctionnement.
- Pour éviter qu'ils provoquent une chute, les cordons d'alimentation doivent être disposés de manière sécuritaire.
- Les fils et les connexions doivent être protégés de l'eau. La prise électrique et les connexions du refroidisseur d'air doivent être sèches tout le temps. Lorsqu'il est utilisé à l'extérieur, branchez la fiche électrique dans une prise extérieure conforme à la norme IP44.
- Placer l'appareil sur une surface plane et solide.

**IMPORTANT:** Les modèles de refroidisseur d'air par évaporation de Honeywell sont conformes à la norme IPX4, et il n'est pas recommandé de les laisser à l'extérieur en cas de fortes pluies ou de neige.

Lire les consignes détaillées dans la section de votre Manuel de l'utilisateur intitulée NETTOYAGE ET VIDANGE DU RÉSERVOIR D'EAU de votre refroidisseur d'air. Des directives générales d'entretien et de rangement de votre refroidisseur d'air se trouvent ci-dessous.

**AVERTISSEMENT: Toujours ÉTEINDRE le refroidisseur d'air et le débrancher de la source électrique avant d'en faire le nettoyage ou l'entretien.**

## Nettoyage

Au moins une fois par semaine, vider complètement le réservoir de l'appareil et le remplir d'eau propre. Cela réduira énormément les dépôts calcaires et prolongera la vie utile du système de refroidissement en nid d'abeilles.

## Rangement en fin de saison

Dans le cas où le refroidisseur d'air ne sera pas utilisé pendant une longue période:

- Avant l'entreposage de l'appareil, il convient de le faire fonctionner en mode Ventilation seulement pendant une heure ou deux (selon l'humidité ambiante) de façon à ce que toutes ses pièces soient sèches.
- ÉTEINDRE le refroidisseur d'air et le débrancher de la prise électrique.
- Vider/ vidanger toute l'eau du réservoir. Remarque: Si l'appareil est branché à une alimentation d'eau continue, vous devez couper l'alimentation d'eau et enlever le tube de vidange avant de vider le réservoir. Seuls certains modèles de refroidisseurs d'air de Honeywell sont munis de cette fonction.
- Pour vérifier si c'est le cas du vôtre, consulter le Manuel de l'utilisateur. Nettoyer le réservoir d'eau avec un chiffon humide pour essuyer tout dépôt de poussière ou de minéraux.
- Retirer le système de refroidissement en nid d'abeilles et le filtre dépoussiéreur à charbon\* du refroidisseur d'air et le rincer avec de l'eau propre pour en retirer la poussière et la saleté.
- Replacer le système de refroidissement en nid d'abeilles et le filtre dépoussiéreur à charbon\* une fois qu'ils sont propres et secs.
- Pour protéger l'appareil contre la poussière, l'humidité et les éraflures, il convient de le couvrir avec un sac de tissu ou de plastique ou encore une bâche avant l'entreposage.
- Enrouler le cordon d'alimentation et le ranger sans contact avec le sol afin de le protéger.
- Entreposer l'appareil à la température ambiante dans un endroit sec, à l'abri de la lumière directe du soleil et/ou de la chaleur, de l'humidité et du froid très élevés.

\* Seuls certains modèles de refroidisseur d'air de Honeywell sont munis d'un filtre dépoussiéreur à charbon. Dans le manuel d'utilisation du modèle, consulter la description des pièces pour savoir si un filtre à poussière de carbone est inclus.

Coordonnées du Centre de services à la clientèle : Consulter la dernière page du Manuel d'utilisation.

PROBLÈME	CAUSE POSSIBLE	SOLUTION
Aucune évacuation d'air.	Le cordon n'est pas branché.	S'assurer que le cordon d'alimentation est branché et que l'interrupteur est EN POSITION DE MARCHÉ.
	L'appareil n'est pas EN MARCHÉ.	Mettre l'appareil en marche en appuyant sur l'interrupteur sur le panneau de commande ou la télécommande.
Aucun refroidissement et l'appareil est bruyant.	La pompe n'est pas EN MARCHÉ.	Mettre en mode REFROIDISSEMENT avec la télécommande ou sur le panneau de commande.
	Peu ou pas d'eau dans le réservoir en mode REFROIDISSEMENT.	Remplir le réservoir d'eau.
	Pompe endommagée ou dépôt calcaïque sur le ventilateur.	Communiquer avec le Service à la clientèle.
Humidité excessive dans la pièce.	En mode refroidissement, le refroidisseur d'air produit de l'humidité en raison du refroidissement par évaporation. Cette situation est normale.	Le refroidisseur d'air est plus efficace par temps sec. Si le taux d'humidité ambiante est élevé (approximatif 60% ou plus), éviter de l'utiliser jusqu'à ce que l'humidité ambiante diminue.
		S'assurer que les fenêtres et les portes sont ouvertes et qu'il y a une ventilation transversale adéquate dans la pièce afin que l'air humide puisse mieux y circuler. Ne pas utiliser le refroidissement par évaporation lorsque l'humidité ambiante est élevée.
Odeurs.	Lorsque le refroidisseur est neuf.	Lorsque l'appareil est utilisé pour la première fois, une odeur se dégage du système de refroidissement en nid d'abeilles, laquelle se dissipera au cours des quelques heures suivantes.
	Des algues ou des moisissures à cause des parties humides. Dans des conditions très humides, des algues peuvent se former.	Vérifier le système de refroidissement en nid d'abeilles. Si vous voyez des taches de moisissures ou soupçonnez un problème d'algue, le retirer et le remplacer. Pour obtenir plus de renseignements, communiquer avec le Service à la clientèle.

PROBLÈME	CAUSE POSSIBLE	SOLUTION
La télécommande ne fonctionne pas.	Les piles de la télécommande sont vieilles & usagées ou insérées incorrectement dans le compartiment de pile.	Les piles de la télécommande doivent être remplacées ou elles sont insérées incorrectement dans leur compartiment.
	Télécommande endommagée.	Si l'appareil ne fonctionne toujours pas même s'il est muni de piles neuves placées correctement, communiquer avec le Service à la clientèle.
L'appareil ne réagit pas.	Le panneau de commande de l'appareil est endommagé.	Tenter de mettre l'appareil en marche avec la télécommande. Si l'appareil fonctionne, le panneau de commande pourrait se révéler défectueux - communiquer avec le Service à la clientèle.
		Si ni la télécommande ni le panneau de commande ne fonctionnent, communiquer avec le Service à la clientèle.
Le refroidisseur d'air extérieur est trempé à cause de la pluie.	Le refroidisseur d'air placé à l'extérieur (seuls les modèles conçus pour l'extérieur peuvent l'être) a été trempé sous une forte pluie.	Un peu de pluie ne cause pas de problèmes tant que la fiche et la prise du courant sont sèches. Si elles sont trempées, NE PAS toucher l'appareil ou la prise électrique/ fiche. Mettre l'interrupteur général d'alimentation de l'appareil à l'arrêt avant de débrancher l'appareil de la prise électrique. S'assurer que toutes les prises électriques et les fiches sont sèches avant d'utiliser l'appareil.
		Le refroidisseur d'air est conçu conformément à la norme IPX4 et il n'est pas recommandé de le laisser à l'extérieur en cas de fortes pluies. Ne pas utiliser le refroidisseur d'air lorsqu'il est mouillé. Attendre que le refroidisseur d'air soit sec avant de le brancher et de le remettre en marche.

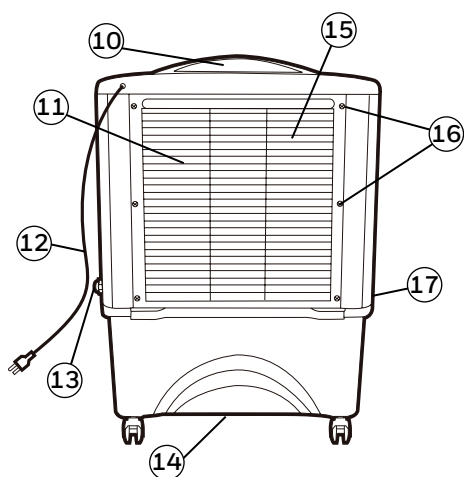
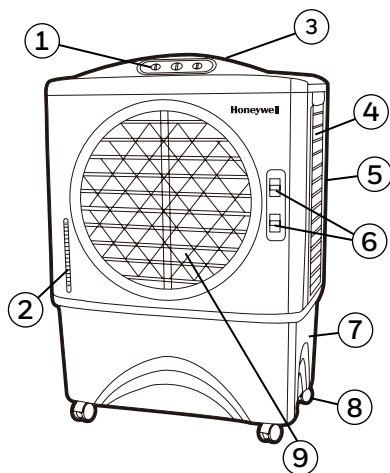
Les batteries contiennent des matériaux dangereux pour l'environnement. ils doivent être retirés de l'appareil avant d'être grattés et éliminés en toute sécurité.



**Élimination correcte de ce produit.**

Ce marquage indique que ce produit ne doit pas être éliminé avec les autres ordures ménagères dans toute l'UE. Afin de prévenir d'éventuels dommages à l'environnement ou à la santé humaine causés par l'élimination incontrôlée des déchets, recycler l'appareil de manière responsable afin de favoriser la réutilisation durable des ressources matérielles. Pour renvoyer votre appareil usagé, veuillez utiliser les systèmes de retour et de collecte ou contacter le détaillant qui vous a vendu le produit. Ils récupéreront ce produit afin de permettre un recyclage sans danger pour l'environnement.

# DESCRIPTION DES PIÈCES

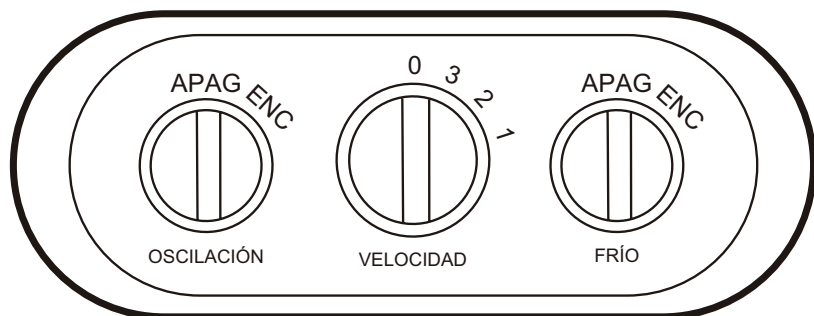


- |  |  |
|--|--|
| 1) Panneau de commande                           | 10) Porte pour le remplissage                    |
| 2) Indicateur de niveau d'eau                    | 11) Grille arrière                               |
| 3) Orifice d'entrée d'eau                        | 12) Cordon électrique et prise                   |
| 4) Poignée                                       | 13) Vanne de l'entrée d'eau                      |
| 5) Grille latérale gauche                        | 14) Bouchon de vidange                           |
| 6) Levier pour les grilles d'aération verticales | 15) Système de refroidissement en nid d'abeilles |
| 7) Réservoir d'eau                               | 16) Vis de la grille arrière                     |
| 8) Roulettes                                     | 17) Grille latérale droite                       |
| 9) Grille d'aération                             |  |

**AVERTISSEMENT -- LIRE ET CONSERVER LE GUIDE DE SÉCURITÉ ET D'ENTRETIEN ET LE MANUEL DE L'UTILISATEUR DU REFROIDISSEUR D'AIR AVANT D'UTILISER LE PRODUIT. NE PAS SUIVRE CES CONSIGNES POURRAIT ENDOMMAGER ET/OU PERTURBER SON FONCTIONNEMENT ET ANNULER LA GARANTIE. EN CAS D'INCOHERENCE OU DE CONFLIT ENTRE LA VERSION ANGLAISE ET TOUT AUTRE VERSION LINGUISTIQUE DU CONTENU DE CE MATÉRIEL, LA VERSION ANGLAISE PRÉVAUDRA.**

**AVERTISSEMENT:** Uniquement pour les modèles d'extérieur CO48PM, Utiliser uniquement avec des prises protégées par des disjoncteurs de fuite de terre.

## PANNEAU DE COMMANDE



## BOUTONS DE FONCTION

### **SPEED (VITESSE) / ON - OFF (MARCHE - ARRÊT)**

Connecter à l'alimentation électrique et tourner le bouton de la SPEED. Le ventilateur démarrera. Changer la vitesse de 3 à 1 (1 pour Basse, 2 pour Moyen et 3 pour Haute vitesse de ventilateur). Pour OFF l'unité, tourner le bouton de la SPEED à 0.

### **COOL (Refroidissement)**

De l'eau doit être ajoutée avant d'utiliser l'appareil en mode COOL. Tourner le bouton COOL en position ON pour activer le refroidissement par évaporation. La pompe à eau fonctionnera et vous sentirez l'air frais une fois que le système de refroidissement en nid d'abeilles sera entièrement trempé.

### **SWING (Oscillation)**

Tourner le bouton SWING en position ON pour activer le mouvement des persiennes. Les grilles d'aération commenceront à osciller de gauche à droite automatiquement. — Débit d'air vertical – il est possible de régler manuellement les grilles d'aération verticales pour modifier le débit d'air vertical.

## POSITION DU REFRIGÉREUR D'AIR

Veiller à placer le refroidisseur d'air comme il se doit avant de l'installer et de l'utiliser. Il convient de se reporter à la section POSITION DU REFRIGÉREUR D'AIR (IMPORTANT À LIRE) du Guide de sécurité et d'entretien.

## REPLISSAGE

Pour utiliser l'appareil pendant de longues périodes sans en remplir le réservoir, l'utilisation du raccord d'alimentation continue est idéale. Cela contribue aussi à éviter une panne de la pompe pouvant survenir lorsque le réservoir du refroidisseur ne contient pas suffisamment d'eau.

**ATTENTION:** Débrancher l'appareil avant de vider ou de remplir le réservoir d'eau.

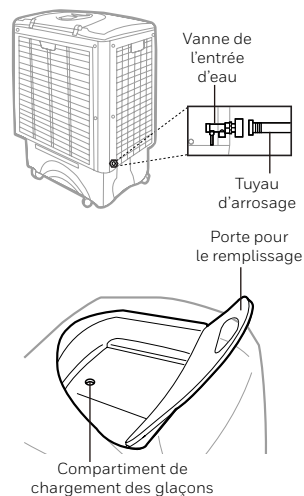
### Raccord d'alimentation continue en eau:

Pour une alimentation en eau continue, un tuyau d'arrosage connecté à une alimentation en eau principale est nécessaire.

**REMARQUE:** Le tuyau d'arrosage n'est pas inclus. Veuillez utiliser un tuyau d'arrosage compatible avec le raccordement de l'appareil.

- Trouver le raccord mâle à un bout du tuyau d'arrosage. Insérer le raccord du tuyau d'arrosage dans la vanne d'entrée d'eau du refroidisseur. Visser et serrer la vanne de l'entrée d'eau sur la partie filetée du raccord du tuyau d'arrosage en s'assurant qu'il y est bien fixé afin d'éviter toute fuite. S'il y a une fuite, le tuyau et la vanne d'entrée d'eau ne sont peut-être pas raccordés correctement. Essayer de dévisser, de replacer et de visser à nouveau la vanne d'entrée d'eau.
- Lorsque le raccord ne fuit plus, OUVRIRE l'alimentation en eau et l'eau s'écoulera dans le réservoir d'eau du refroidisseur.
- Le refroidisseur est maintenant prêt, donc l'eau est renouvelée automatiquement.
- Lorsque le réservoir d'eau est plein, la vanne d'entrée d'eau empêche automatiquement le débordement du réservoir d'eau.
- Il convient de régler la vanne d'eau à un débit minimal, puisque trop de pression pourrait endommager le système de commande de la pression d'entrée.

**AVERTISSEMENT:** La pression maximale d'entrée d'eau est de 0,5MPa.



### Remplissage manuel du réservoir d'eau:

- En utilisant un contenant portatif ou un tuyau d'arrosage, il est possible de remplir le réservoir d'eau manuellement en l'alimentant à partir d'un orifice qui se trouve sur le haut du refroidisseur d'air.
- Vérifier l'indicateur de niveau d'eau pour savoir quand le réservoir d'eau est plein. Ne pas dépasser la marque de niveau pour éviter les gouttelettes d'eau sur les grilles d'aération.

**AVERTISSEMENT:** Il convient de veiller à ce que le niveau d'eau dans le réservoir se situe toujours au-dessus de l'indicateur du niveau minimal (Min.), et cela, qu'il soit alimenté en continu ou manuellement. Faire fonctionner l'appareil en mode Refroidissement sans la quantité d'eau requise risque de provoquer une panne de la pompe.

## REPLISSAGE (SUITE)

**REMARQUE:** La capacité d'eau correspond au volume total d'eau qui peut être contenu dans le réservoir et le système de distribution d'eau du refroidisseur d'air. La capacité d'eau dans le réservoir au niveau de l'indicateur « Max. » peut-être inférieure à la capacité d'eau réelle du refroidisseur d'air.

**AVERTISSEMENT:** Ne pas remplir le réservoir d'eau avec de l'eau sale ou de l'eau salée, cela peut endommager le matériel et le Système de refroidissement en nid d'abeilles.

## NETTOYER ET VIDANGER LE RÉSERVOIR D'EAU

Si le refroidisseur n'est pas utilisé pendant une longue période, il convient de se reporter aux DIRECTIVES D'ENTREPOSAGE ET D'ENTRETIEN du Guide de sécurité et d'entretien.

### AVERTISSEMENT:

Avant de nettoyer l'appareil, il convient de l'éteindre, puis de le débrancher de la prise électrique.

- Déplacer l'appareil jusqu'à un endroit où l'eau peut être vidangée. Enlever le bouchon de vidange situé dans la partie inférieure de l'appareil. Laisser le réservoir se vider.
- Remplir le réservoir d'eau avec de l'eau propre, jusqu'au niveau maximal, puis le vider complètement.
- Utiliser un chiffon humide pour retirer la saleté et la poussière de la surface de l'appareil. Ne jamais utiliser de produits corrosifs ou chimiques pour nettoyer cet appareil.
- Lorsque le produit n'est pas utilisé, le ranger dans un endroit sec hors de la lumière directe du soleil.

## NETTOYAGE DU SYSTÈME DE REFROIDISSEMENT EN NID D'ABEILLES

- L'appareil est fourni avec trois plaques de nid d'abeilles.
- Elles se trouvent derrière les grilles arrière et latérales. Voir les étapes 1 à 5 pour savoir comment les retirer de l'appareil aux fins du nettoyage et de l'entretien.
- Ne pas faire fonctionner l'unité en mode REFROIDISSEMENT quand de l'eau stagnante se trouve dans le réservoir. Vous devez vider l'eau et la remplacer par de l'eau propre, surtout si le réservoir n'a pas été nettoyé depuis longtemps.
- La fréquence de nettoyage du système en nid d'abeilles dépend de l'état de l'eau et de l'air. Dans les régions où l'eau est riche en minéraux, des dépôts peuvent s'accumuler sur le système de refroidissement en nid d'abeilles et nuire à la circulation d'air. Vider le réservoir d'eau et le remplir d'eau propre au moins une fois par semaine contribueront à réduire les dépôts de minéraux. Si les dépôts de minéraux subsistent sur le système de refroidissement en nid d'abeilles, le système devra être retiré et lavé avec de l'eau propre. Le système devra être nettoyé tous les deux mois ou plus souvent, selon le besoin.
- Pour obtenir les meilleurs résultats, laisser sécher le système de refroidissement en nid d'abeilles après chaque utilisation en éteignant la fonction REFROIDISSEMENT pendant 15 minutes avant d'éteindre l'appareil.

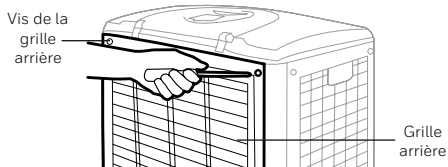
## NETTOYAGE DU SYSTÈME DE REFROIDISSEMENT EN NID D'ABEILLES (SUITE)

Pour retirer la plaque de refroidissement en nid d'abeilles:

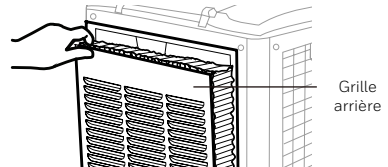
1. Retirer les vis de la Grille arrière du refroidisseur d'air.
2. Retirer soigneusement la grille arrière du refroidisseur.
3. La plaque de refroidissement en nid d'abeilles est fixée sur la grille du panneau arrière par deux barres horizontales qui sont fixées sur place par deux vis qui se trouvent de leurs côtés droit et gauche.
4. Retirer la plaque de refroidissement en nid d'abeilles en la glissant hors la Grille arrière. Remplacer avec la plaque de refroidissement en nid d'abeilles en la couissant dans les rainures de la grille du panneau arrière jusqu'à ce qu'elle soit mise en place correctement et solidement. Replacer les barres horizontales sur la Grille arrière en réinstallant les vis à droite et à gauche et en les serrant en place. Cela fixe la plaque de refroidissement en nid d'abeilles sur la Grille arrière.
5. Répéter les étapes 1 à 4 pour retirer la plaque de refroidissement en nid d'abeilles sur les grilles droite et gauche de Grille arrière.

**AVERTISSEMENT:** NE PAS UTILISER le refroidisseur d'air lorsque la grille arrière est retirée du refroidisseur d'air ou si la grille arrière ne tient pas en place correctement. Cela peut causer de sérieuses blessures ou de dangereuses décharges électriques.

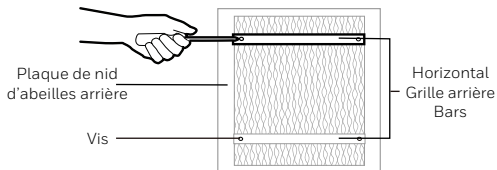
### Étape 1:



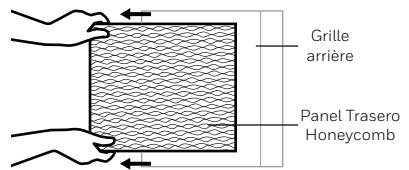
### Étape 2:



### Étape 3:



### Étape 4:



Felicitaciones por la compra de este versátil Enfriador de Aire por Evaporación Honeywell.

La Guía de Mantenimiento y Seguridad, y el Manual del Usuario independiente tienen como objetivo brindarle la información necesaria para establecer, operar, mantener y solucionar los problemas de este producto.

## NORMAS DE SEGURIDAD

### ADVERTENCIA—LEA Y GUARDE LA GUIA Y EL MANUAL DEL USUARIO DEL ENFRIADOR DE AIRE

La Guía y el Manual del Usuario del Refrigerador de Aire tienen como objetivo brindarle la información necesaria para establecer, operar, mantener y solucionar los problemas de su Enfriador de Aire. Si no se siguen estas instrucciones, se puede dañar y/o perjudicar su funcionamiento, crear una situación peligrosa, e invalidar la garantía. En caso de existir alguna discrepancia o conflicto, en el contenido de este material, entre la versión en Inglés y la versión en cualquier otro idioma prevalecerá la versión en Inglés.

#### LIRE ET CONSERVER CES CONSIGNES:

Al utilizar aparatos eléctricos, seguir siempre las precauciones básicas de seguridad:

- Este aparato puede ser utilizado por niños de 8 años y mayores y las personas con capacidades físicas, sensoriales o mentales reducidas o falta de experiencia y conocimiento, si se les ha dado la supervisión o instrucciones relativas al uso del aparato de una manera segura y comprenda los peligros involucrado. Los niños no deben jugar con el aparato. La limpieza y mantenimiento del equipo no debe ser hecho por los niños sin supervisión.
- NO UTILICE un cable o enchufe dañado. Si el cordón de alimentación es dañado, este debe sustituirse por el fabricante, por su agente de servicio autorizado o por personal calificado con el fin de evitar un peligro.
- Antes de utilizar el producto, remueva el embalaje y controle que el producto se encuentra en buenas condiciones.
- NO permita que los chicos jueguen con el aparato, embalaje o bolsas plásticas.
- Controle el voltaje doméstico para garantizar que coincida con las especificaciones del aparato.
- NO UTILICE un cable de extensión con esta unidad.
- No pasar el cable de alimentación debajo de alfombras, o cubrirlo con mantas o corredores. Mantenga el cable lejos de las áreas en las que se pueda tropezar con ellos.
- Cuando ponga en funcionamiento el Enfriador de Aire en modo enfriamiento por evaporación, verifique siempre que la cantidad de agua en el tanque esté por encima de la marca de nivel "min."
- Desenchufe el Enfriador de Aire siempre antes de llenar el tanque de agua, limpiar la unidad, realizar tareas de mantenimiento o reubicar la unidad.

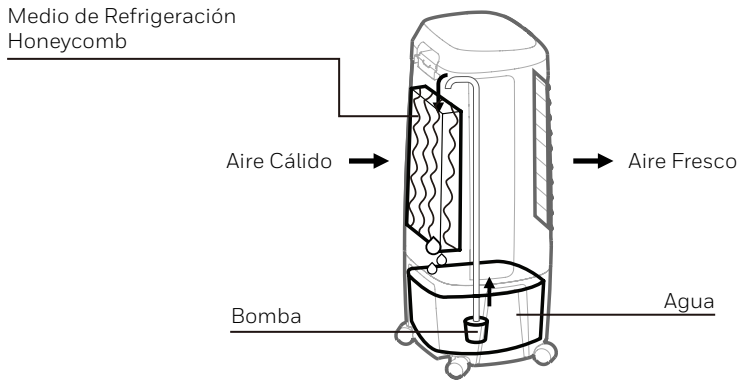
- Nunca tire del cable. Retírelo del toma corriente/enchufe tomándolo y sacándolo desde el extremo del enchufe del cable.
- Este producto ha sido fabricado para uso habitacional y no debe usarse para otros propósitos.
- NO lo utilice en áreas donde se almacena gasolina, pintura u otros productos inflamables.
- NO haga funcionar la unidad en el modo COOL con el tanque vacío, dado que podría causar daños en la bomba de agua.
- NO intente reparar o ajustar toda función eléctrica o mecánica del Enfriador de Aire, esto podría invalidar la garantía.
- NO cubra la entrada o salida del enfriador, esto podría dañar el motor.
- NO inserte objetos o permita el ingreso de los mismos a ninguna apertura de ventilación ya que esto podría dañar la unidad y ocasionar una descarga eléctrica o incendio.
- NO ponga en funcionamiento la unidad sin el medio de refrigeración Honeycomb, esto podría sobrecargar el y dañar el motor.
- NO deje el aparato en funcionamiento sin vigilancia durante un período prolongado de tiempo.
- NO ponga la unidad en funcionamiento si se encuentra dañada o si funciona mal. Diríjase a la sección Resolución de Problemas y contacte al Centro de Soporte al Cliente.
- Siempre coloque la unidad en un piso seco.
- NO utilice en baños o cerca del agua. NO coloque la unidad cerca de un contenedor de agua. Cuando no se utilice, guárdelo en un ambiente seco.
- Ubique siempre la unidad en una superficie seca.
- Utilice siempre las manijas laterales para mover el Enfriador de Aire.

**ADVERTENCIA:** Para reducir riesgos de incendio o descargas eléctricas, no utilice este aparato con cualquier dispositivo de control de velocidad de estado sólido.

## ¿Qué es la Enfriamiento por Evaporación?

Los Enfriadores de Aire por Evaporación Honeywell maximizan la eficiencia energética y mantiene bajos los costos de energía. El aire caliente ingresa es aspirado por el enfriador y luego ingresa al medio de refrigeración de Honeycomb. El agua bombeada desde el tanque de agua se derrama en el medio de refrigeración Honeycomb. A medida que el aire caliente pasa a través del medio de refrigeración Honeycomb, el agua absorbe el calor, enfriando y humidificando el aire de forma natural. Un ventilador impulsa el aire frío hacia la habitación. Este sistema de refrigeración sin compresión enfría de forma natural, de manera eficiente y económica.

## Mecanismo de Enfriamiento de Aire por Evaporación



El nivel máximo de humedad recomendado es 60% o menos, lo que permite un descenso de temperatura notable. La temperatura será inferior en ambientes más secos ya que hay mayor evaporación cuando el nivel de humedad es bajo.

## ATENCIÓN

Cuando se utilice el producto por primera vez, el Medio de Refrigeración Honeycomb emitirá un olor que se disipará unas horas después de su uso inicial.

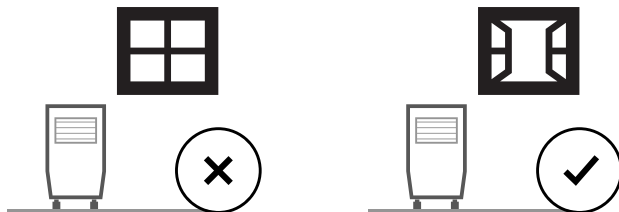
# UBICACIÓN DEL ENFRIADOR

Para máxima eficiencia, colocar el Enfriador de Aire acorde con las siguientes indicaciones:

## Interiores

Ubicar el enfriador en frente de una puerta o ventana abierta. Asegure la ventilación adecuada en el cuarto dejando una puerta o ventana abierta opuesta al enfriador.

El Enfriador de Aire por Evaporación no debe utilizarse en espacios cerrados. Debe mantenerse nivelado y debe haber agua en el tanque de agua. Abrir puertas y ventanas para permitir un flujo de aire libre. El Enfriador de Aire por Evaporación funciona mejor cuando se ubica cerca de una ventana abierta, de manera tal que el aire de afuera ingrese al enfriador, circule en el cuarto y luego salga por la puerta. El efecto de enfriamiento máximo se siente cuando una persona esta cerca del flujo de aire que sale del Enfriador de Aire por Evaporación. El Enfriador de Aire por Evaporación produce humedad y puede utilizarse para humedecer el aire seco. Si desea utilizarse para humidificar, las puertas y ventanas deberán estar cerradas.



**IMPORTANTE:** El Enfriador de Aire por Evaporación no es un aire acondicionado, ya que no utiliza un compresor o gas refrigerante. No espere que la unidad enfríe tanto como un aire acondicionado refrigerado.

## Exteriores (únicamente para modelos de exteriores)

- Utilice únicamente en toma corrientes y enchufes GFCI protegidos (sólo para EE.UU.). Presione el botón TEST y luego el botón RESET una vez al mes para asegurar una operación apropiada.
- Asegurar los cables de alimentación para evitar la desconexión.
- Proteger el cableado y las conexiones del agua. El enchufe y las conexiones del Enfriador de Aire deben estar secas todo el tiempo. Cuando se usa al aire libre, inserte el enchufe eléctrico del aire más fresco a una toma eléctrica exterior compatible IP44.
- Coloque la unidad en una superficie plana y sólida.

**IMPORTANTE:** Los modelos de Enfriadores de Aire Honeywell para exteriores son diseñados conforme a los estándares de productos IPX4, y se recomienda no colocarlos en el exterior durante una fuerte lluvia o cuando nieva.

# INSTRUCCIONES PARA EL GUARDADO Y MANTENIMIENTO

Lea las instrucciones detalladas LIMPIEZA Y VACIADO DEL TANQUE DE AGUA para su Enfriador de Aire, ubicadas en el Manual del Usuario separado. Debajo encontrará una guía general para el mantenimiento y guardado de su Enfriador de Aire.

**ADVERTENCIA: Siempre, antes de limpiar o realizar el mantenimiento de su Enfriador de Aire, apague y desenchúfelo de la fuente eléctrica.**

## Limpieza

Drene la totalidad del agua del tanque al menos una vez a la semana y cárguelo con agua fresca. Si hace esto, reducirá en gran medida los depósitos minerales y ayudará a extender la vida útil del medio de refrigeración Honeycomb.

## Fin de Temporada: Guardado

Si el Enfriador de Aire no se utilizará por un largo período de tiempo:

- Verifique que las partes estén secas poniendo en funcionamiento el modo sólo Ventilador por alrededor de 1 a 2 horas antes de guardarlo (el tiempo depende de las condiciones de humedad del ambiente).
- Apague el Enfriador de Aire y desenchúfelo del suministro de energía.
- Vacíe/ drene toda el agua del tanque. Atención: Si la unidad está conectada a un suministro de agua continuo deberá apagar el suministro de agua y quitar el tubo de drenaje antes de drenar el tanque de agua. Esta función se encuentra disponible únicamente en algunos modelos de Enfriadores de Aire Honeywell. Revise el Manual del Usuario para saber si la unidad tiene la Función Suministro Continuo de Agua.
- Limpie el tanque de agua con un trapo húmedo para remover todo el polvo o los depósitos minerales.
- Retire el medio de refrigeración Honeycomb y el Filtro para Polvo de Carbón\* del Enfriador de Aire y enjuáguelos con agua fría para eliminar el polvo y la suciedad.
- Reemplace el medio de refrigeración Honeycomb y el Filtro para Polvo de Carbón\* una vez que estén limpios y secos.
- Cuando el producto no está en uso. Use un paño húmedo para eliminar la suciedad y el polvo de la superficie de la unidad.
- Enrolle el cable de alimentación y guárdelo lejos del piso para protegerlo.
- Guarde esta unidad a temperatura ambiente en un lugar seco, lejos de la luz solar directa y / o ambientes muy calurosos, fríos o húmedos.

\* El Filtro de Polvo de Carbón está disponible únicamente en modelos específicos de Enfriador de Aires Honeywell.

Compruebe el apartado Descripción de partes del manual del usuario para ver si se incluye el filtro de polvo de carbón.

# GUÍA PARA LA RESOLUCIÓN DE PROBLEMAS

Servicio de atención a clientes: consulte la última página del manual.

PROBLEMA	POSIBLE CAUSA	SOLUCION
Sin caudal de aire.	Cable desenchufado.	Asegúrese de que el cable esté enchufado y la unidad encendida.
	Unidad apagada.	Encienda la unidad presionando el botón de encendido en el contro de panel o control remoto.
No enfría / Unidad esta haciendo ruido.	La bomba no está encendida.	Encender función FRIO desde el control remoto o panel de control.
	Cuando el modo frío está seleccionado y el nivel de agua es bajo o no hay agua.	Volver a llenar tanque de agua.
	Daño en la bomba de agua o hay depositos de calcio en tubería.	Contactar Centro de Servicio al Cliente.
Exceso de humedad en la habitación.	En modo Frío, el enfriador de aire produce humedad como resultado del sistema evaporativo. Esto es normal.	El enfriador de aire funciona mejor en climas secos. Si el nivel de humedad en el ambiente es alto (aproximado 60% o más), abstenerse de usar el enfriador de aire hasta que baje la humedad del ambiente.
		Asegurarse que la ventana/ puerta están abiertas y hay un adecuado cruce de ventilación en la habitación de tal manera que el aire humedo pueda circular mejor. NO usar la función de evaporación frío en días con alta humedad en el ambiente.
Olores.	Cuando la unidad es nueva.	Cuando el producto se usa por primera vez el medio de enfriamiento Honeycomb tendrá un olor que se disipará dentro de las primeras horas desde su primer uso.
	En condiciones muy humedas se puede formar algas o moho.	Revisar el medio de enfriamiento Honeycomb. Si observa moho o esporas en el filtro o sospecha un problema de algas, remover y reemplazar el medio de enfriamiento Honeycomb. Contactar al Centro de Servicio al Cliente para mayor información.

# GUÍA PARA LA RESOLUCIÓN DE PROBLEMAS (CONTINUA)

PROBLEMA	POSIBLE CAUSA	SOLUCION
Control remoto no trabaja.	Las baterías están viejas o no se han colocado correctamente las baterías en su compartimiento.	Reemplazar con baterías nuevas. Seguir la polaridad adentro del compartimiento.
	Control remoto dañado.	Si reemplaza con baterías nuevas en la correcta posición y el control remoto no funciona, contactar al Centro de Servicio al Cliente.
La unidad no respode.	Dañado el control de panel en el equipo.	Tratar de activar la unidad con el contro remoto. Si la unidad responde, entonces el panel de control del equipo puede tener problemas. Contactar al Centro de Servicio al Cliente.
		Si no trabaja el control remoto ni el panel de control, contactar al Centro de Servicio al Cliente.
El enfriador de aire está mojado por lluvia.	El enfriador de aire se colocó en un lugar abierto (esto es solo para modelos de enfriador de aire para lugares abiertos) está mojado por una fuerte lluvia.	Una pequeña cantidad de lluvia en la unidad no es un problema mientras el enchufe de electricidad y el contacto estén secos. Si están ambos mojados, NO TOCAR la unidad o enchufe/contacto. Apagar la corriente principal antes de desconectar la unidad del contacto eléctrico. Asegurarse que todos los contactos y enchufes esten secos antes de usarse.
		El enfriador de aire está diseñado para estándares de productos IPX4 y no es recomendado usarlo en lugares abiertos durante condiciones fuertes de lluvia. No operar el enfriador de aire cuando este mojado. Esperar hasta que el enfriador de aire seque antes de conectar y poner a funcionar nuevamente.

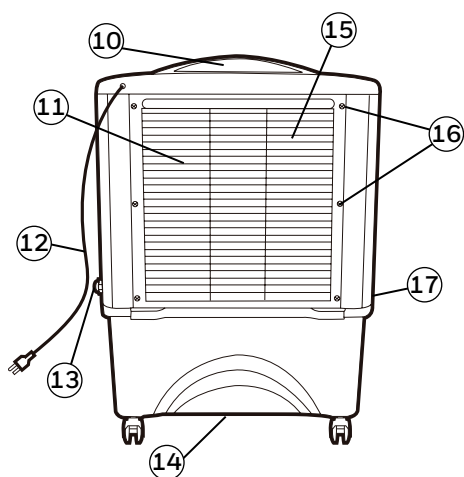
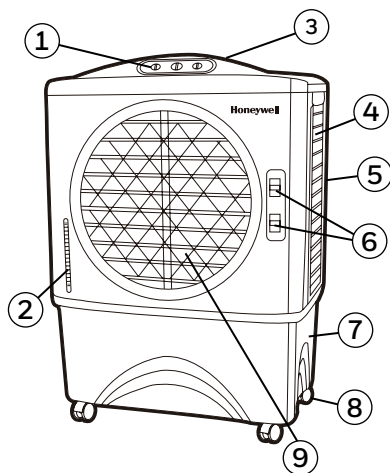
Las baterías contienen materiales que son peligrosos para el medioambiente; deben sacarse del aparato antes de rasparlo y de que se eliminen de forma segura.



**Correcta eliminación de este producto.**

Esta marca indica que este producto no debe eliminarse junto con otros desechos domésticos en toda la E.U. Para evitar posibles daños al medio ambiente o la salud humana por la eliminación incontrolada de residuos. Recíclelo responsablemente para promover la reutilización sostenible de los recursos materiales. Para regresar su dispositivo usado, use los sistemas de devolución y recolección o comuníquese con el vendedor donde adquirió el producto. Pueden tomar este producto para un reciclaje ambiental seguro.

# DESCRIPCIÓN DE PARTES



1) Panel de Control

2) Indicador de Nivel de Agua

3) Entrada de Agua

4) Manija

5) Parrilla Lado Izquierdo

6) Palanca para Persianas Horizontales

7) Tanque de Agua

8) Ruedas

9) Deflectores

10) Puerta de Llenado de Agua

11) Rejilla Trasera

12) Cable de Alimentación y Enchufe

13) Válvula de Entrada de Agua

14) Tapón de Agua

15) Filtro de Enfriamiento Honeycomb

16) Tornillos Parrilla Trasera

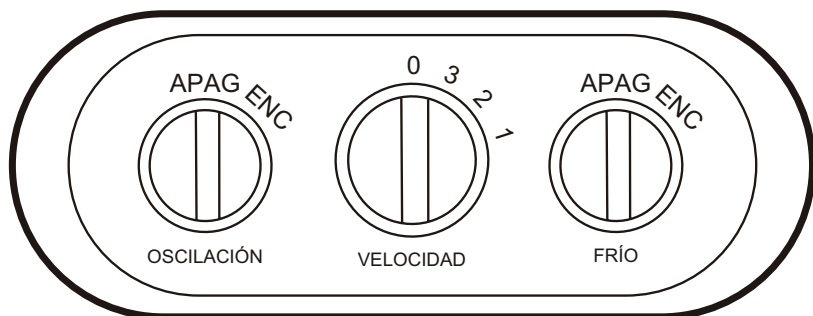
17) Parrilla Lado Derecho

**ADVERTENCIA -- LEA Y GUARDE LA GUIA DE MANTENIMIENTO Y EL MANUAL DE INSTRUCCIONES ANTES DE USAR ESTE PRODUCTO. EL INCUMPLIMIENTO DE ESTAS INSTRUCCIONES PUEDE DAÑAR Y / O PERJUDICAR SU FUNCIONAMIENTO E INVALIDAR LA GARANTÍA. EN CASO DE EXISTIR ALGUNA DISCREPANCIA O CONFLICTO, EN EL CONTENIDO DE ESTE MATERIAL, ENTRE LA VERSIÓN EN INGLÉS Y LA VERSIÓN EN CUALQUIER OTRO IDIOMA PREVALECE LA VERSIÓN EN INGLÉS.**

**ADVERTENCIA:** únicamente para modelos de exteriores CO48PM, Utilice únicamente en toma corrientes y enchufes PROTEGIDOS GFCI.

# USO Y FUNCIONAMIENTO

## PANEL DE CONTROL



## BOTONES DE FUNCIONES

### VELOCIDAD

Conecte a la fuente de alimentación y gire el mando VELOCIDAD. El ventilador comenzará a funcionar. Cambie la velocidad de 3 a 1 (1 para Velocidad del ventilador Baja, 2 para Media y 3 para Alta). Para apagar la unidad, gire la perilla de velocidad a 0.

### FRÍO

Gire el mando FRÍO a la posición ENC para activar la refrigeración por evaporación. La bomba de agua funcionará y usted sentirá el aire más fresco después de que el filtro de enfriamiento Honeycomb esté completamente mojado.

### OSCILACIÓN

Gire el mando OSCILACIÓN a la posición ENC para activar el movimiento de las persianas. Las rejillas comenzarán a moverse de izquierda a derecha de forma automática. Flujo de aire vertical - Puede ajustar manualmente la palanca ubicada en la parte frontal de la unidad para cambiar el flujo de aire vertical.

## UBICACIÓN DEL ENFRIADOR

Asegúrese de colocar el enfriador de aire correctamente antes de configurar y empezar a usar el producto. Por favor, consulte la sección de la Guía de seguridad y de mantenimiento separada.

## LLENADO CON AGUA

Es Ideal usar la conexión de suministro agua continuo para operar la unidad por largos periodos de tiempo sin volver a llenar de agua. Esto también ayuda a prevenir el fallo de la bomba en caso de que el enfriador de aire esté funcionando con agua insuficiente en el tanque.

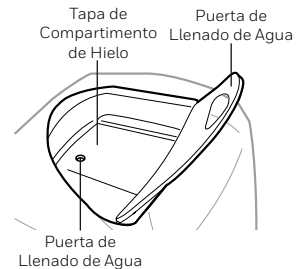
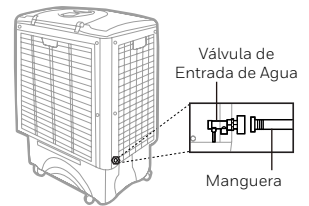
**PRECAUCIÓN:** Desenchufe la unidad de la toma de corriente eléctrica antes de vaciar o llenar el depósito de agua.

### Conexión del Suministro de Agua Continuo:

Para obtener un suministro continuo de agua, necesitará que una manguera esté conectada a un suministro de agua de la red.

**Nota:** La manguera de jardín no está incluida. Por favor utilice una manguera de jardín que sea compatible con la conexión de la unidad.

- Ubique el conector macho en un extremo de la manguera. Inserte el conector de la manguera a la válvula de entrada de agua del enfriador. Atornille y ajuste la válvula de entrada de agua en la parte roscada del conector de la manguera, asegurándose de que el conector de la manguera esté fijo para asegurar que no haya pérdidas. Si hay una pérdida, es posible que la manguera y la válvula de entrada de agua no estén conectados correctamente. Trate de desconectar, sustituir y ajustar la válvula de entrada de agua nuevamente.
- Cuando se asegure la conexión, encienda el suministro de agua y el agua fluirá hacia el tanque de agua del enfriador.
- Ahora, el enfriador está configurado para que el agua se recargue de forma automática.
- Cuando el tanque está lleno de agua, la válvula de entrada de agua detendrá automáticamente el suministro de agua para evitar que el tanque desborde.



**ADVERTENCIA:** La presión máxima de entrada de agua es de 0,5 MPa.

### Recarga Manual del Tanque de Agua:

- Para recargar el tanque de agua manualmente, utilice un recipiente portátil o una manguera y vierta el agua desde el orificio para cargar agua ubicado en la parte superior del enfriador de aire.
- Compruebe el indicador de nivel de agua para saber cuando el tanque de agua está lleno. No colocar agua por encima de la marca de "Max" del indicador de nivel de agua.

**ADVERTENCIA:** Asegúrese siempre que el agua en el depósito de agua esté por encima del mínimo (Min.), tanto para recarga de agua manual o continua. La ejecución de la unidad en modo de FRIO con la cantidad de agua inadecuada o insuficiente puede causar fallos en la bomba.

## LLENADO CON AGUA (CONTINUACIÓN)

**ADVERTENCIA:** La capacidad de agua se refiere al volumen total de agua que puede ser contenida dentro del depósito de agua del enfriador de aire y el sistema de distribución de agua. La capacidad del depósito de agua en "Max" indicando el nivel puede estar bajo conforme la actual capacidad de agua del enfriador de aire.

**NOTA:** No llenar con agua sucia o salada. Esto puede dañar la unidad y el panel Honeycomb.

## LIMPIEZA Y VACIADO DEL TANQUE DE AGUA

Si el Enfriador no se usara por un largo período de tiempo, por favor, consulte las instrucciones de almacenamiento y mantenimiento situadas en la Guía de seguridad y de mantenimiento separada.

### **ADVERTENCIA:**

Antes de limpiar la unidad, apague la unidad y desconecte de la toma de corriente.

- Mueva la unidad a un lugar donde el agua pueda ser drenada. Retire el tapón de drenaje situado en la parte inferior de la unidad. Permita que el tanque se vacíe.
- Vuelva a llenar el tanque de agua con agua limpia hasta el nivel máximo y drene completamente.
- Use un paño húmedo para eliminar la suciedad y el polvo de la superficie de la unidad. Nunca utilice elementos corrosivos o productos químicos para limpiar este producto.
- Cuando el producto no está en uso, almacene la unidad en un lugar seco fuera de la luz solar directa.

## LIMPIEZA DEL FILTRO DE ENFRIAMIENTO HONEYCOMB

- El aparato se suministra con tres almohadillas de filtro de enfriamiento Honeycomb.
- Los Medios de filtro de enfriamiento Honeycomb se encuentran dentro de las parrillas traseras y laterales. Siga las instrucciones mencionadas en los Pasos 1 al 5 para removerlos de la unidad para limpieza y mantenimiento.
- No haga funcionar la unidad en modo FRIO con agua estancada en el tanque. Debe vaciar el depósito de agua y volver a llenarlo con agua, sobre todo si el tanque no se ha limpiado en mucho tiempo.
- La frecuencia de limpieza de los filtros de enfriamiento Honeycomb depende de las condiciones del aire y del agua local. En las zonas donde el contenido mineral del agua es alto, depósitos minerales pueden acumularse en los filtros de enfriamiento Honeycomb y restringir el flujo de aire. El vaciado del depósito de agua y el relleno de agua fresca por lo menos una vez por semana le ayudará a reducir los depósitos de minerales. Si los depósitos minerales permanecen en el filtro de enfriamiento Honeycomb, los filtros de enfriamiento deben ser retirados y lavados con agua fresca. Los medios de enfriamiento deben limpiarse cada dos meses, o antes, dependiendo de sus necesidades.
- Para obtener los mejores resultados y cuidar el filtro de enfriamiento Honeycomb deje secar después de cada uso desactivando la función de frío 15 minutos antes de apagar la unidad.

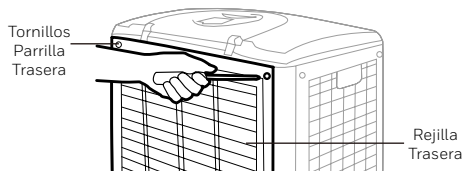
## LIMPIEZA DEL FILTRO DE ENFRIAMIENTO HONEYCOMB (CONTINUACIÓN)

Retirar el filtro de enfriamiento Honeycomb:

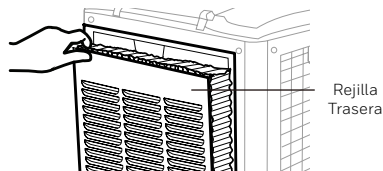
1. Quite los tornillos de la Parrilla del Panel Trasero del Enfriador de Aire.
2. Saque cuidadosamente la Parrilla del Panel Trasero del Enfriador de Aire.
3. El panel de enfriamiento Honeycomb está asegurado en la parrilla del panel trasero por dos barras horizontales, las cuales están fijadas con dos tornillos a cada lado de las mismas. Retire estos tornillos para soltar las barras horizontales.
4. Saque el panel de enfriamiento Honeycomb deslizándolo hacia fuera de la parrilla del panel trasero. Coloque el nuevo Panel de Enfriamiento Honeycomb deslizándolo en las ranuras de la Parrilla del Panel Trasero hasta que esté bien ubicado y de forma segura en la parrilla. Vuelva a colocar las barras horizontales en la Parrilla del Panel Trasero, reemplazando los tornillos de ambos lados y fijándolos en su lugar. Esto asegura el Panel de Enfriamiento Honeycomb en su lugar en la Parrilla del Panel Trasero.
5. Repita los pasos 1 a 4 para retirar el Panel de Enfriamiento Honeycomb de las Parrillas de Paneles Laterales de ambos lados.

**ADVERTENCIA:** NO ponga en funcionamiento el Enfriador de Aire cuando se retiren una o todas las parrillas traseras o laterales del enfriador de aire, o si alguna de ellas no está bien sujeta. Si lo hace, puede causar lesiones graves o una descarga eléctrica peligrosa.

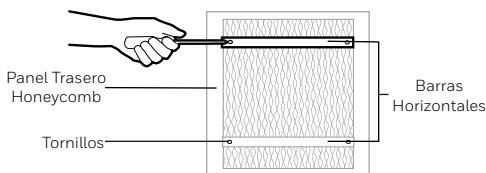
**Paso 1:**



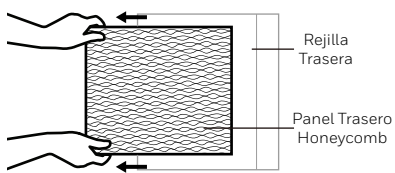
**Paso 2:**



**Paso 3:**



**Paso 4:**



**ES**

Hecho en China  
© 2021 JMATEK Limited. Todos los derechos reservados.  
La marca Honeywell es usada bajo licencia de Honeywell International Inc. Honeywell International Inc. no representa ni garantiza este producto.  
Este producto es fabricado por Airtek Int'l Corp. Ltd. (subsidiaria de JMATEK Limited).

**FR**

Fabriqué en Chine  
© 2021 JMATEK Limited. Tous droits réservés.  
La marque déposée Honeywell est utilisée en vertu d'une licence de Honeywell International Inc.  
Honeywell International Inc. ne fait aucune déclaration et ne donne aucune garantie à l'égard de ce produit.  
Ce produit est fabriqué par Airtek Int'l Corp. Ltée (une filiale de JMATEK Limited).

**EN**

Made in China  
© 2021 JMATEK Limited. All rights reserved.  
The Honeywell Trademark is used under license from Honeywell International Inc.  
Honeywell International Inc. makes no representations or warranties with respect to this product.  
This product is manufactured by Airtek Int'l Corp. Ltd. (subsidiary of JMATEK Ltd.).

**JMATEK North America LLC**  
Mahwah, New Jersey 07495 USA  
Email: [usinfo@jmatek.com](mailto:usinfo@jmatek.com)  
Web: [www.jmatek.com](http://www.jmatek.com)

**Honeywell**